

User's guide  
Personal radio trigger Erik 9100

### **Important information**

All systems using radio and telecommunication are subject to interference beyond the user's control.

Products from Doro Care are designed to minimize the impact of such interference. Nevertheless, the user must be aware that system components can be subjected to interference or other influences that may cause malfunction.

It is therefore important to regularly check that every part of the system works in all areas, especially radio communications. Contact your supplier immediately in case of any suspected malfunction.

Keep the product away from interfering devices such as radio transmitters, GSM-telephones, DECT-telephones or wireless headphones.

Users should pay particular attention to the risk of disruption from products which communicate using the same or adjacent frequencies.

For further information, please contact your supplier.

## TABLE OF CONTENT

IMPORTANT INFORMATION.....	2
1 GENERAL .....	4
2 OVERVIEW .....	5
3 INSTALLATION .....	6
4 REPLACE THE BATTERY .....	6
5 ACCESSORIES .....	7
6 TECHNICAL DATA.....	8

## 1 General

Erik 9100 is a personal radio trigger designed for System 5000 (CareTech/Phoniro), Carephone 4200, Gina, Gloria and Grace.

Key features on Erik 9100:

- Long battery life time.
- The staff can exchange the battery with maintained waterproofing according to IP67.
- Two programmable pushbuttons. The alarm button can be defined with different types of alarms in the receiver, see the System 5000 and the Carephone manual. The small side push button is set to reset alarms but can be specially ordered for other functions.
- Periodic test alarms can be activated to increase reliability.
- Many accessories are available that allow you to carry the radio alarm trigger like bracelets, necklaces or in your pocket with a clip. Doro's Easy Press Concept (EPS) accessory makes it easy for a person with reduced mobility to activate an alarm.

## 2 Overview

Erik 9100 has orange pushbuttons for alarm and reset, LED that displays alarm transmission and many accessories to suit different needs.



- Big button = Alarm button (Emergency alarm as default)
- Small button = Reset key (Reset as default)
- LED´s: Flashing green when trigger alarm  
Flashing red on alarm transmission

### 3 Installation

Installation is according to the technical manual of the device to which the radio alarm button is to be installed. When learning to different devices eg System 5000 and GINA / GLORIA / GRACE, Erik will be activated by pressing the Alarm button.

### 4 Replace the battery

Erik has battery monitoring where the status is checked every time an alarm is sent to the system or the Carephone. If the battery status is low, this generates a low battery level message in system 5000 and the Carephone sends a low battery level (alarm type 16, SmartCall protocol). If necessary, automatic test transmission can be programmed.

Always replace a new CR2430 Lithium 3V battery as shown below

1. Unscrew the four screws, disassemble the enclosure.
2. Remove the old battery.
3. Install the new battery into the bottom cover. The "+" mark of the battery is placed against the "+" marking of the bottom cover.
4. Leave the top of the enclosure so that the push buttons are down towards the table, as the circuit board is loose.
5. Screw the enclosure with the four screws.
6. Perform a function test.

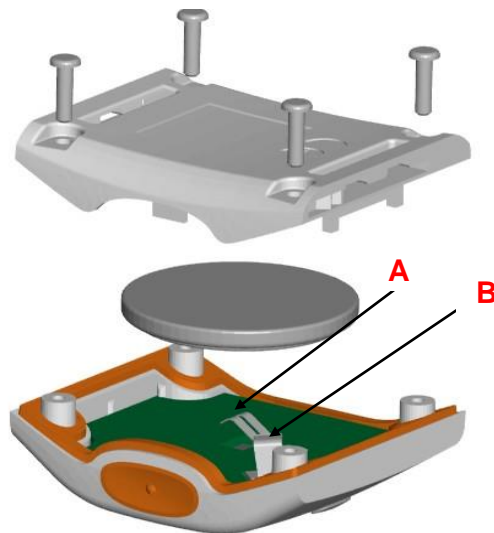


Figure 2. Disassembled plastic enclosure for Erik.

## 5 Accessories

To Alarm trigger Erik follows many different accessories that can be easily customized as needed. To loosen an accessory part, slide it aside, see the arrows in the picture below. Simply push the part aside by pushing the corner of the part against something hard, eg. table edge. Then it's easy to place the new part, for example necklace or bracelet.



Figure 3. Bracelet bracket.

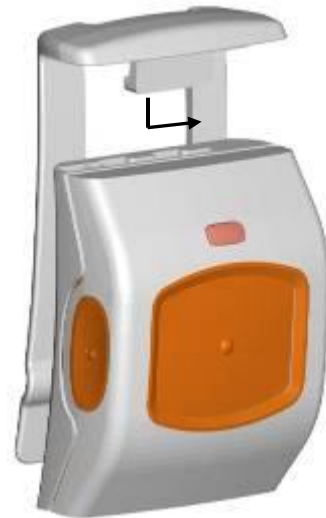


Figure 4. Pocket clip



Figure 5. Blind plug - Used to provide a softer design when using the clip for the pocket or the attachment to the necklace.



Figure 6. Bracket for Necklace.



Figure 7. Doro's Easy Press Concept (EPC) - Makes it easier to enable the large button for users with reduced mobility.

## 6 Technical data

Frequency	868,35 MHz
Battery	3V Lithium battery CR2430
Operational temperature	+5 to +45°C
Size	45 x 30 x 13 mm
Art. No.	300 230
Water proof	According to IP67
Approvals/standards	CE and Environmental Information (see separate Legal sheet) EN 50134-2